

FROMM P357 Pneumatic Powered Plastic Strapping Tool

The new FROMM P357 Pneumatic Strapping Tool is suitable for PP and PET strap applications. It features ergonomically positioned control buttons, allowing for one hand operation.

The P357 Pneumatic Strapping Tool is designed for use in vertical and horizontal strapping applications. You can select manual or automatic operation mode and after setting the right tension force and welding/cooling time it can be locked for a consistent strapping result.

The FROMM P357 Strap Tool is best suited to high volume strapping environments, as it operates continuously without the need to be recharged.

The P357 robust and durable design, with minimal wearing parts is a great addition to any industrial warehouse or factory.

Polyester (PET) Strap

For optimal strapping efficiency we recommend our range of Star Strap-Plus Plastic strap. Talk to our friendly staff today!



FROMM
ADVANTAGE

← →
12-16mm

2500 N

Friction
Weld

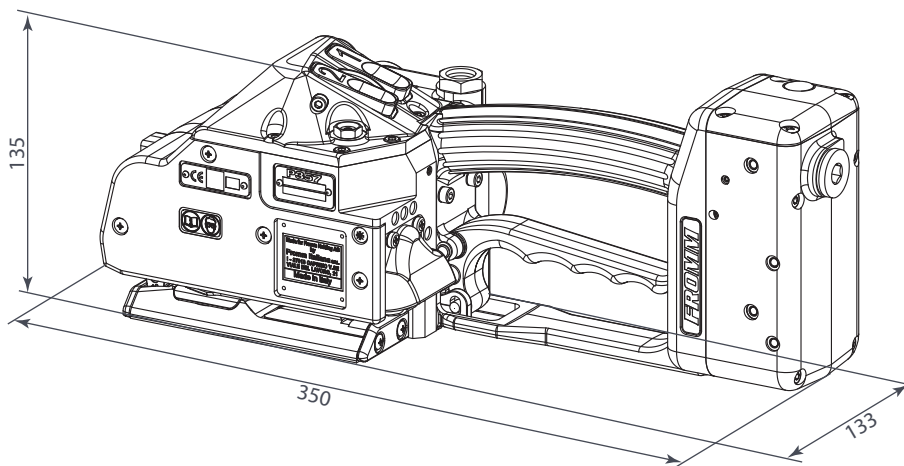
Air

★ Features

- Easily operate the tool in Manual or Automatic mode
- Display cooling time
- Ergonomically positioned control buttons, easier to use
- Single hand operation with thinner grip handle
- Tension wheel has been raised providing better balance
- Easy strap threading – both straps are inserted together
- Easy adjust seal time

+ Benefits

- No batteries – operates continuously without the need to be recharged
- Robust with minimal wearing parts
- FROMM 2 year warranty



★ Technical Specifications

Tensioning:

| | |
|--|-----------|
| Strap Tension (N): | 600-1300 |
| Tensioning Speed (mm/s): | 165 |
| Strap Tension, High Tension Tool, (N): | 1200-2500 |
| Tensioning Speed, High Tension Tool, (mm/s): | 104 |
| Joint Strength, approx. (%): | 75 |

Tool Size (without suspension bracket):

| | |
|--------------|-----|
| Length (mm): | 350 |
| Width (mm): | 133 |
| Height (mm): | 135 |
| Weight (kg): | 5.7 |

Sealing Type:

Friction weld

Strap Specification:

| | |
|-----------------|-----------|
| Width (mm): | 12-16 |
| Thickness (mm): | 0.40-1.05 |

Power Supply:

| | |
|--------------------------|---------|
| Pneumatic power | |
| Max. Air Pressure (bar): | 5.5-6.0 |
| Max. PSI: | 80-87 |

Air Consumption:

| |
|--|
| 60NI/min |
| Max. pressure drop of 0.5 bar/7.25 psi |

Operating Conditions:

| | |
|-------------------------|-----------|
| Temperature range (°C): | -10 - +45 |
|-------------------------|-----------|

FROMM | PACKAGING AUSTRALIA

Australia Wide

T 1800 023 890

E info@fromm-pack.com.au

W www.fromm-pack.com.au