

## FROMM A461 Pneumatic Powered Steel Sealing Tool

The FROMM A461 is the ideal pneumatic steel sealing tool for round packages. Robust, reliable, simple & cost effective, the A461 is ideally used to crimp the seal on any package with a round or small surface area.

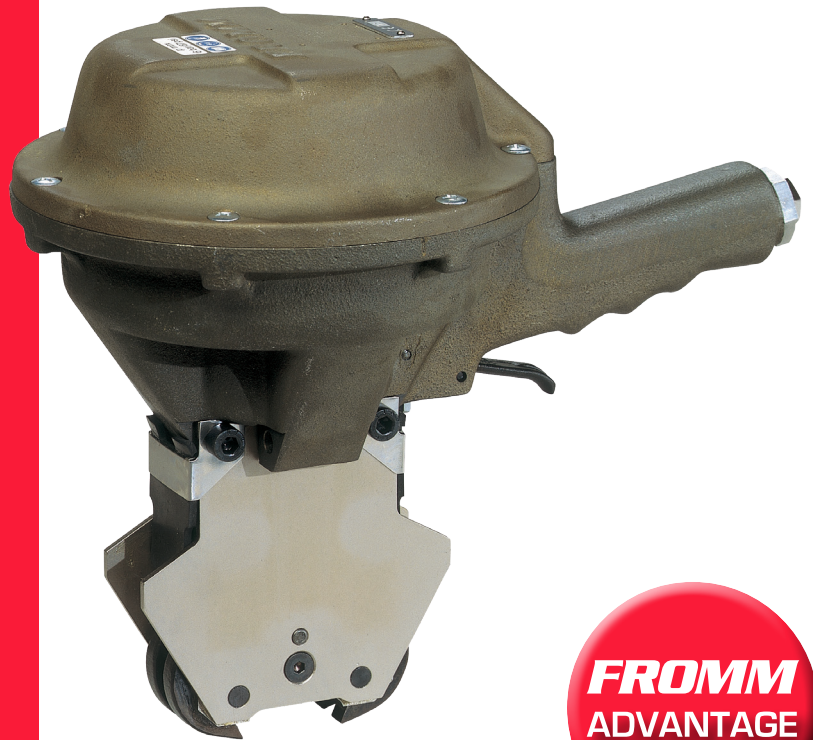
Boasting FROMM's superior tensioning force, the A461 has become a proven performer when strapping bars, bundles, pipes and coils.

If you need to strap heavy duty, rounded packages, the A461 is the tool of choice.

All equipment is supported by our on-site mobile service team and spare parts are readily available.

### Steel Strap

For optimal strapping efficiency we recommend our range of Steel strapping. Talk to our friendly staff today!



**FROMM**  
ADVANTAGE

← →  
19-32mm

8500 N

Metal  
Seals

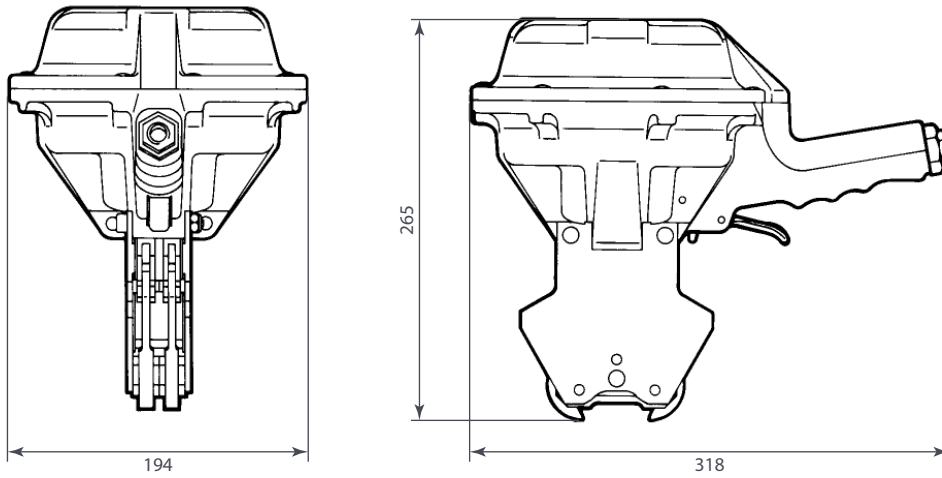
Air

### ★ Features

- Sealing tool
- Lightweight
- Used with A452 tensioning tool

### + Benefits

- Ideal for small surfaces
- Ideal for confined environment
- Robust and reliable
- Long life wear parts
- FROMM 2 year warranty



## ★ Technical Specifications

### Sealing:

Average Seal Strength (%): 75

### Tool Size (without suspension bracket):

Length (mm): 318

Width (mm): 194

Height (mm): 265

Weight (kg): 4.2

### Sealing Type:

Metal Seals

### Strap Specification:

Width (mm): 19-32

Thickness (mm): 0.63-1.00

### Power Supply:

Pneumatic power

Max. Air Pressure (bar): 6.0

Max. PSI: 87

### Air Consumption:

7.25 NI uncompressed air/sec

### Operating Conditions:

Temperature range (°C): -10 - +45

**FROMM** | PACKAGING  
AUSTRALIA

Australia Wide

T 1800 023 890

E info@fromm-pack.com.au

W www.fromm-pack.com.au