

## FROMM FV300-160 Semi Automatic Orbital Wrapping Machine

FROMM's FV300-160 orbital wrapping machine is perfect for wrapping long products (min. 600mm) through its 1600mm diameter ring. Ideal for bundles and extrusions, as well as small flat products.

Extremely low maintenance, the FROMM FV range is exceptionally easy to install & operate - Plug and play, no fuss.

Backed up by FROMM Packaging Australia, rent or purchase options, the FV300-160 delivers for the Australian industry. All equipment is supported by our on-site mobile service team and spare parts are readily available.



### Orbital Wrapping Film

For optimal wrapping efficiency we recommend our range of Orbital wrapping film.

Talk to our friendly staff today!

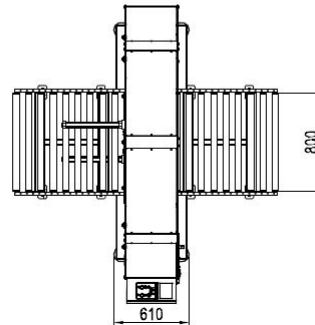
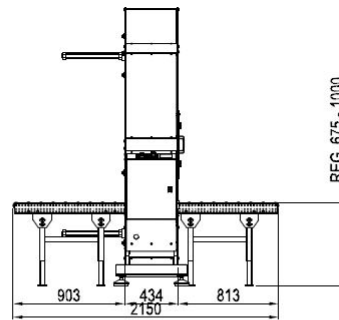
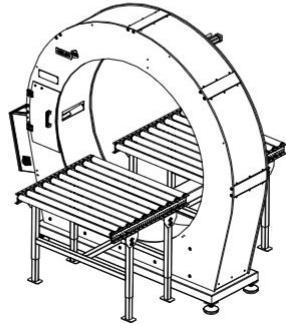
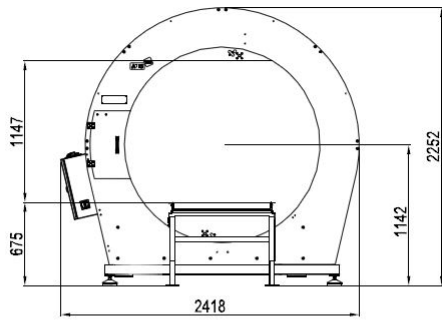


#### ★ Features

- Double reel film dispensers
- Adjustable speed (RPM)
- Mechanical film break
- Manual start by foot switch
- Easy to use
- Infeed and outfeed conveyors available
- Top pressers available to hold load in wrapping cycle

#### + Benefits

- High speed throughput
- Easily accommodates different products
- Plug and play technology
- Fast roll changes
- Lots of optional extras
- FROMM 2 year warranty



## ★ Technical Specifications

### Ring:

Diameter (mm):	1600
Max. rotating speed (RPM):	50

### Product Size:

Max. product size (mm):	H 1250, W 1580
Min. product size (mm):	H 360, W 360
Max. product length:	No limit
Min. product length (mm):	600 or 400 with short products bridge
Max. weight (kg)	Dependent on conveyors

### Film Specification:

Width (mm):	100, 166, 250
Thickness (um):	20 - 50

### Power Supply:

240V, Single Phase, 50 Hz	
Air supply needed:	6 bars

### Power Consumption:

Power consumption approx. (kW):	0.52
---------------------------------	------

### Air Consumption:

24L / cycle

### Machine Options:

Conveyors - infeed and outfeed  
 Automatic film cut and clamp  
 Top pressers  
 Bridge for short products  
 Safety system