

## FROMM FSM-50 Automatic Strapping Machine

The FROMM FSM-50 is an innovative world class high speed automatic strapping machine. It is suitable for 5, 6, 9 or 12 mm Polypropylene (PP) strap. It is equipped with important standard features and a user friendly design.

The FSM-50 offers optimal performance, high speed, easy maintenance and is a fantastic cost effective strapping solution.

Applying up to 65 straps per minute, this machine with a 2 year FROMM warranty is an ideal solution for graphics, printing or general logistics applications.

All equipment is supported by our on-site mobile service team

### Polypropylene (PP) Strap

For optimal strapping efficiency we recommend our range of Polypropylene machine strap. Talk to our friendly staff today!



← →  
5-12mm

1-45kg

Auto  
Start

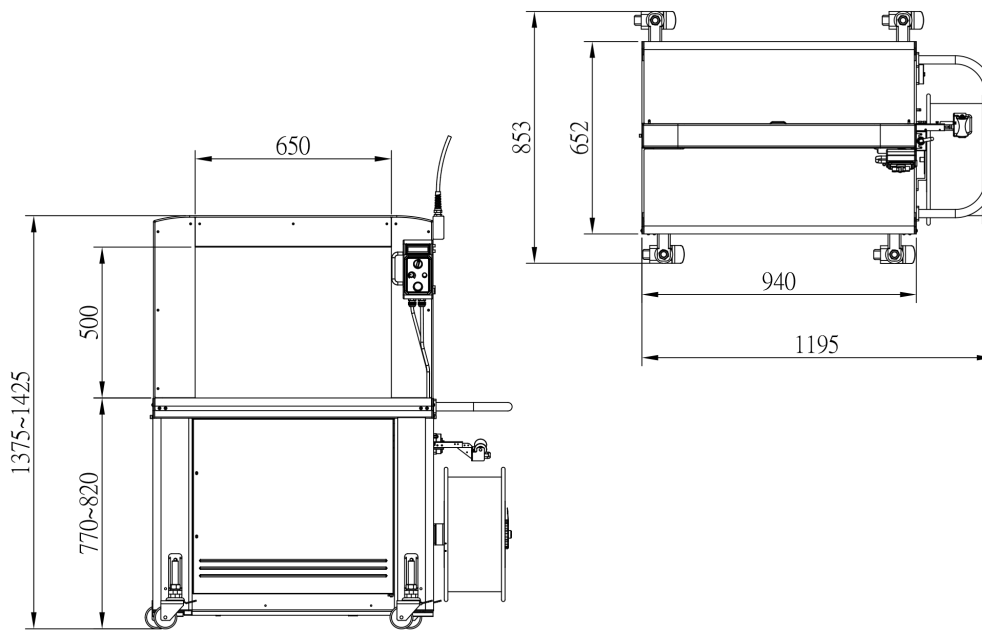
240 V  
⚡

### ★ Features

- High speed strapping
- Automatic strap threading
- Anti jam technology
- Start - automatic, foot, or button system
- Available on castors or fixed points
- Adjustable tension
- Adjustable table height

### + Benefits

- High productivity and throughput
- User friendly
- Reliable
- Flexible working conditions
- Won't damage product being strapped
- FROMM 2 year warranty



## ★ Technical Specifications

### Capacity:

Single strap, seconds/strap up to: 2

### Bundles:

Arch Size (mm) (W) x (H): 650 x 500  
 Min. Width (mm): 70  
 Max. Width (mm): 600  
 Min. Height (mm): 20  
 Max. Height (mm): 450  
 Max. Weight (kg): 70

### Strap Tension:

Adjustable  
 Max. Tension at bundle (kg): 45

### Strapping Material:

Polypropylene  
 Width (mm): 5 - 12  
 Thickness (mm): 0.45 - 0.65

### Sealing Method:

Heat seal

### Power Supply:

240V, Single Phase, 50 Hz

### Power Consumption:

Power consumption approx. (kW): 0.5

### Weight:

Total weight approx. (kg): 167

### Operating Conditions:

Temperature range (°C): 0 - 40

**FROMM** | PACKAGING AUSTRALIA

Australia Wide

T 1800 023 890

E info@fromm-pack.com.au

W www.fromm-pack.com.au