

## FROMM A483 Pneumatic Powered Steel Strapping Tool

The FROMM A483 Pneumatic Powered Steel Strapping Tool is the most rugged strapping tool of its kind. Robust & reliable, the A483 is ideally used for high volume steel strapping.

Boasting FROMM's superior tensioning force, the A483 has become a proven performer when strapping bars, bundles, pipes, coils and other products in the steel industry.

If you need to strap high volumes of heavy duty packages, the A483 is the tool of choice.

All equipment is supported by our on-site mobile service team and spare parts are readily available.

### Steel Strap

For optimal strapping efficiency we recommend our range of Steel strapping. Talk to our friendly staff today!



**FROMM**  
ADVANTAGE

← →  
25-32mm

9000 N

Metal  
Seals

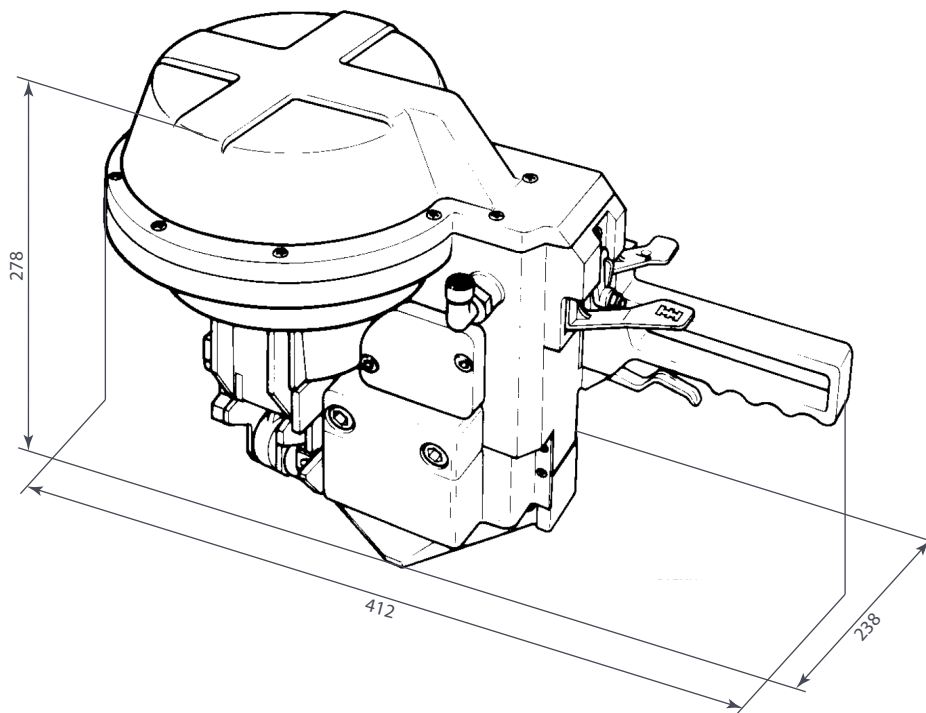
Air

### ★ Features

- Pneumatic pusher type combination tool
- Pneumatic feed wheel for easy insertion of steel strap
- Double notch seal
- Production workhorse

### + Benefits

- Ideal for metals industry
- All in one tension, seal and cut
- Robust and reliable
- Long life wear parts
- FROMM 2 year warranty



## ★ Technical Specifications

### Tensioning:

Strap Tension (N):	7000, 9000
Tensioning Speed (mm/s):	200, 160
Joint Strength, approx. (%):	75

### Tool Size (without suspension bracket):

Length (mm):	412
Width (mm):	238
Height (mm):	278
Weight (kg):	18

### Sealing Type:

Metal seals

### Strap Specification:

Width (mm):	25-32
Thickness (mm):	0.80-1.00

### Power Supply:

Pneumatic power	
Max. Air Pressure (bar):	6
Max. PSI:	87

### Air Consumption:

Tensioning: 11 NI uncompressed air/sec
Sealing: 10 NI uncompressed air/sec
Max. pressure drop of 0.5 bar/7.25 psi

### Operating Conditions:

Temperature range (°C):	-10 - +45
-------------------------	-----------

**FROMM** | PACKAGING  
AUSTRALIA

Australia Wide

T 1800 023 890

E info@fromm-pack.com.au

W www.fromm-pack.com.au