

FROMM A3H Pneumatic Powered Steel Strapping Tool

The FROMM A3H Pneumatic Powered Steel Strapping Tool is a semi-automatic pneumatic steel strapping tool, ideal for round packages. Robust, reliable, simple & cost effective, the A3H is ideally used to strap any package with small surface areas.

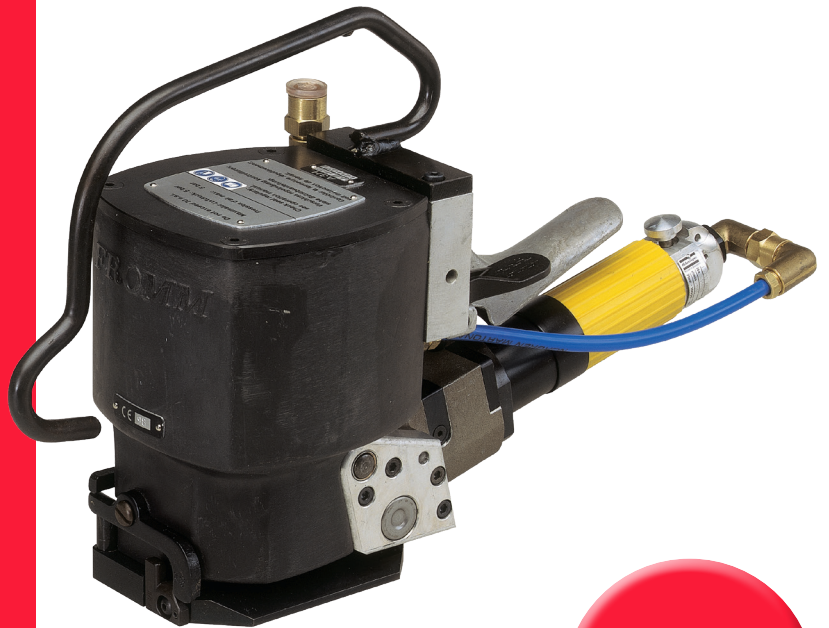
Boasting FROMM's superior tensioning force, the A3H has become a proven performer when strapping bars, bundles, pipes and coils.

If you need a small, reliable tool with exceptional tensioning, the A3H is the tool of choice.

All equipment is supported by our on-site mobile service team and spare parts are readily available.

Steel Strap

For optimal strapping efficiency we recommend our range of Steel strapping. Talk to our friendly staff today!



FROMM
ADVANTAGE

← →
12-19mm

4500 N

Seal
Less

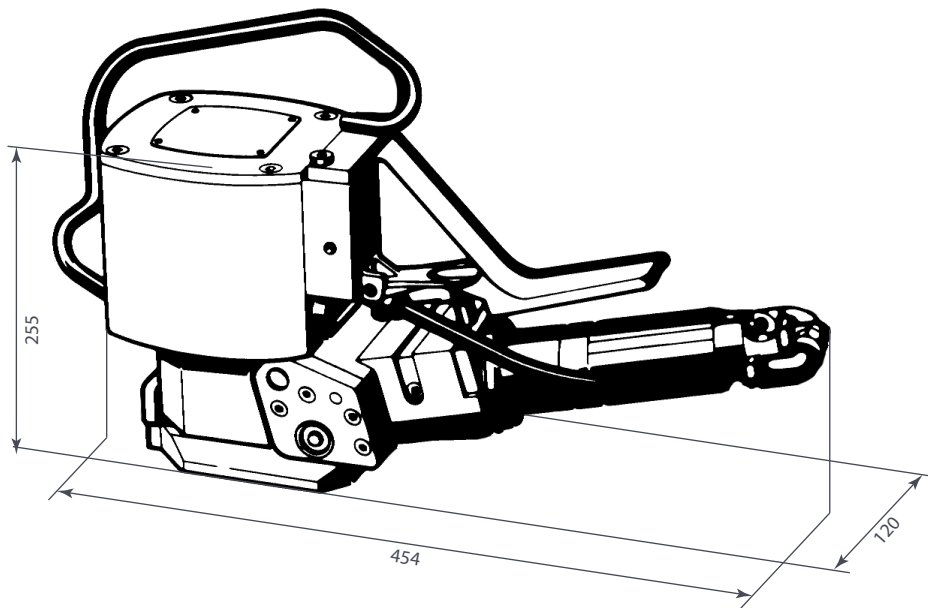
Air

★ Features

- Seal less strapping tool
- 2500 - 4500N tension force
- Lightweight

+ Benefits

- All in one tension, seal and cut
- Robust and reliable
- Long life wear parts
- FROMM 2 year warranty



★ Technical Specifications

Tensioning:

Strap Tension (N):	2500, 4500
Tensioning Speed (mm/s):	170, 100
Average Seal Strength (%):	80

Tool Size (without suspension bracket):

Length (mm):	454
Width (mm):	120
Height (mm):	255
Weight (kg):	8.5

Sealing Type:

Seal less

Strap Specification:

Width (mm):	12-19
Thickness (mm):	0.38-0.60

Power Supply:

Pneumatic power	
Max. Air Pressure (bar):	5
Max. PSI:	70

Air Consumption:

Tensioning: 450 NI uncompressed air/min
Sealing: 5 NI uncompressed air/cycle

Operating Conditions:

Temperature range (°C):	-10 - +45
-------------------------	-----------

FROMM | PACKAGING
AUSTRALIA

Australia Wide

T 1800 023 890

E info@fromm-pack.com.au

W www.fromm-pack.com.au