

## FROMM A383 Pneumatic Powered Steel Strapping Tool

The FROMM A383 Pneumatic Powered Steel Strapping Tool is a heavy duty pneumatic steel strapping tool, ideal for heavy packages. Robust, reliable, simple & cost effective, the A383 is ideally used to strap high volumes of heavy packages in a stationary environment.

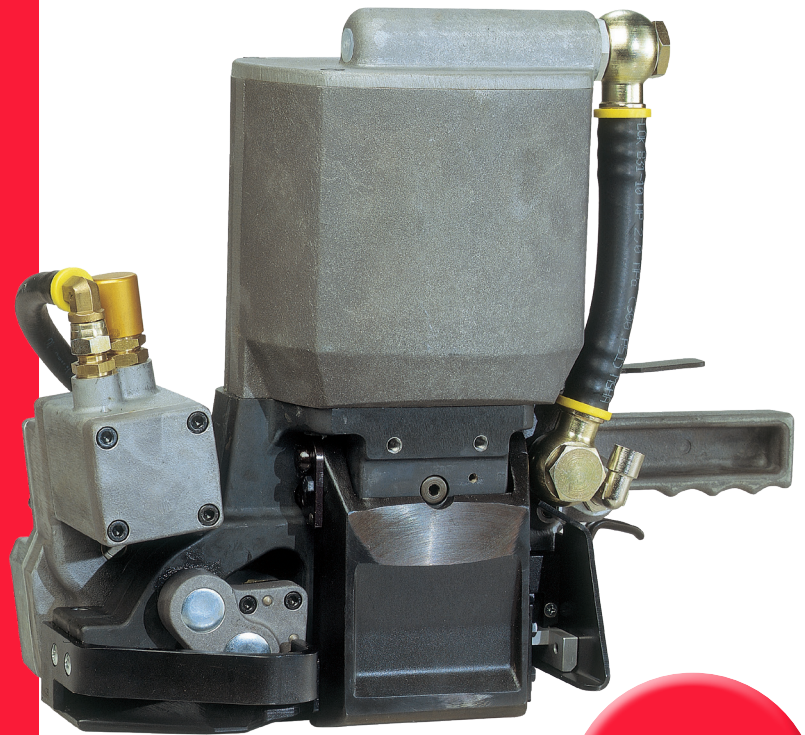
Boasting FROMM's superior tensioning force, the A383 has become a proven performer when strapping bars, bundles, pipes and coils.

If you need a heavy duty 'work horse' tool with exceptional tensioning, the A383 is the tool of choice.

All equipment is supported by our on-site mobile service team and spare parts are readily available.

### Steel Strap

For optimal strapping efficiency we recommend our range of Steel strapping. Talk to our friendly staff today!



**FROMM**  
ADVANTAGE

← →  
19-32mm

15000 N

Seal  
Less

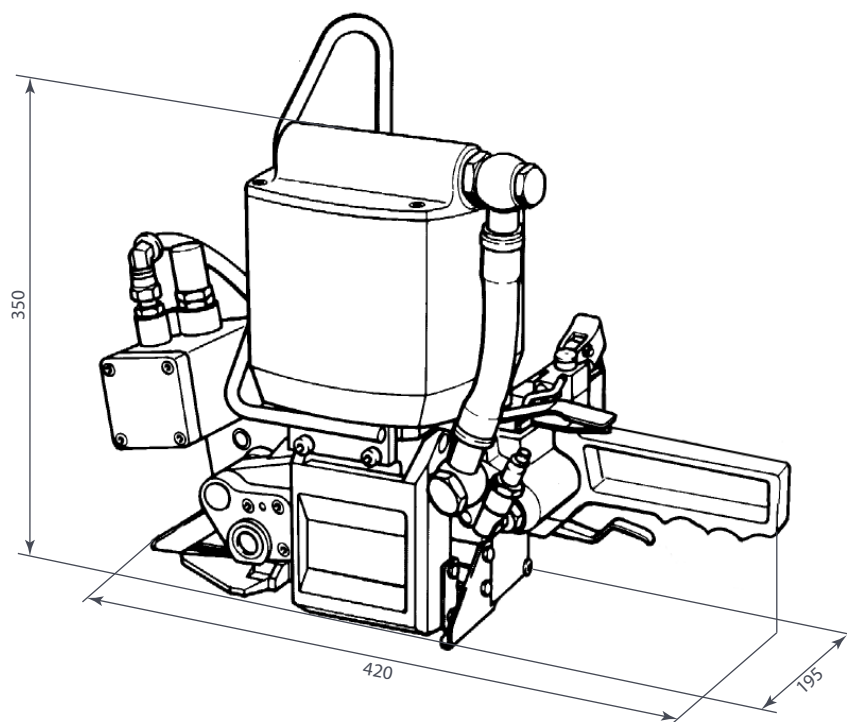
Air

### ★ Features

- Seal less strapping tool
- 10000 - 15000N tension force
- Lightweight

### + Benefits

- Ideal for flat surfaces
- All in one tension, seal and cut
- Robust and reliable
- Long life wear parts
- FROMM 2 year warranty



## ★ Technical Specifications

### Tensioning:

Strap Tension (N):	10000, 15000
Tensioning Speed (mm/s):	145, 95
Average Seal Strength (%):	80

### Tool Size (without suspension bracket):

Length (mm):	420
Width (mm):	195
Height (mm):	350
Weight (kg):	23.1

### Sealing Type:

Seal less

### Strap Specification:

Width (mm):	19-32
Thickness (mm):	0.63-1.30

### Power Supply:

Pneumatic power	
Max. Air Pressure (bar):	6
Max. PSI:	87

### Air Consumption:

Tensioning: 12 NI uncompressed air/sec
Sealing: 12 NI uncompressed air/cycle
Max. pressure drop of 0.5 bar/7.25 psi

### Operating Conditions:

Temperature range (°C):	-10 - +45
-------------------------	-----------

**FROMM** | PACKAGING AUSTRALIA

Australia Wide

T 1800 023 890

E info@fromm-pack.com.au

W www.fromm-pack.com.au