

## FROMM A384 Pneumatic Powered Steel Strapping Tool

The FROMM A384 Pneumatic Powered Steel Strapping Tool is a versatile pneumatic steel strapping tool, ideal for a variety of packages. Robust, reliable, simple & cost effective, the A384 is ideally used to strap just about anything in a stationary environment.

Boasting FROMM's superior tensioning force, the A384 has become a proven performer when strapping bars, bundles, pipes and coils.

If you need a versatile 'one size fits all' tool with exceptional tensioning, the A384 is the tool of choice.

All equipment is supported by our on-site mobile service team and spare parts are readily available.

### Steel Strap

For optimal strapping efficiency we recommend our range of Steel strapping. Talk to our friendly staff today!



**FROMM**  
ADVANTAGE

← →  
12-19mm

6500 N

Seal  
Less

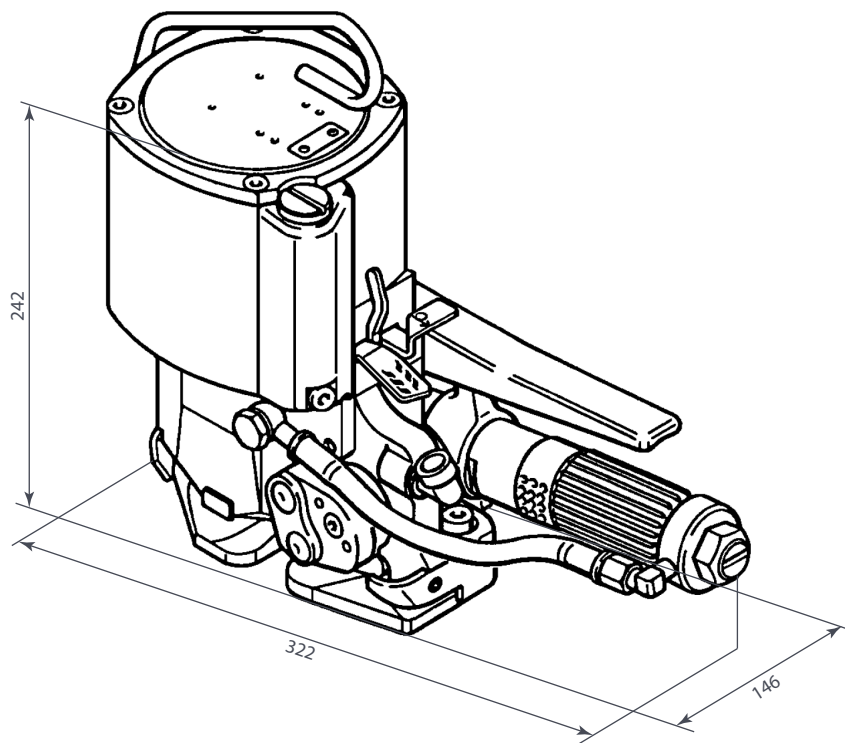
Air

### ★ Features

- Seal less strapping tool
- 2200 - 6500N tension force
- Lightweight

### + Benefits

- Ideal for flat surfaces
- All in one tension, seal and cut
- Robust and reliable
- Long life wear parts
- FROMM 2 year warranty



## ★ Technical Specifications

### Tensioning:

|                            |                        |
|----------------------------|------------------------|
| Strap Tension (N):         | 2200, 3500, 4100, 6500 |
| Tensioning Speed (mm/s):   | 165, 105, 95, 60       |
| Average Seal Strength (%): | 80                     |

### Tool Size (without suspension bracket):

|              |     |
|--------------|-----|
| Length (mm): | 322 |
| Width (mm):  | 146 |
| Height (mm): | 242 |
| Weight (kg): | 10  |

### Sealing Type:

Seal less

### Strap Specification:

|                 |           |
|-----------------|-----------|
| Width (mm):     | 12-19     |
| Thickness (mm): | 0.38-0.63 |

### Power Supply:

|                          |    |
|--------------------------|----|
| Pneumatic power          |    |
| Max. Air Pressure (bar): | 6  |
| Max. PSI:                | 87 |

### Air Consumption:

|  |
|--|
| Tensioning: 8 NI uncompressed air/sec  |
| Sealing: 3.5 NI uncompressed air/cycle |

### Operating Conditions:

|                         |           |
|-------------------------|-----------|
| Temperature range (°C): | -10 - +45 |
|-------------------------|-----------|

**FROMM** | PACKAGING  
AUSTRALIA

Australia Wide

T 1800 023 890

E info@fromm-pack.com.au

W www.fromm-pack.com.au