

Sweed 510 XHD Steel Strap Chopper

The Sweed Chopper Model 510XHD is a tough, reliable and economically efficient chopper that will save your company from unwanted headaches.

Plastic and steel strap off-cuts are notoriously hard to discard, with annoying pieces of strap filling bins and requiring constant clean-up. With the Sweed 510XHD, simply feed your unwanted strap into the machine and it will chop it up and discard the pieces into the bin.

The Sweed 510XHD is designed for successful chopping for bandsaw blades and metal strapping up to 31mm x .787mm with seals.

Steel Strap

FROMM stock an extensive range of steel strapping. Talk to our friendly staff today!

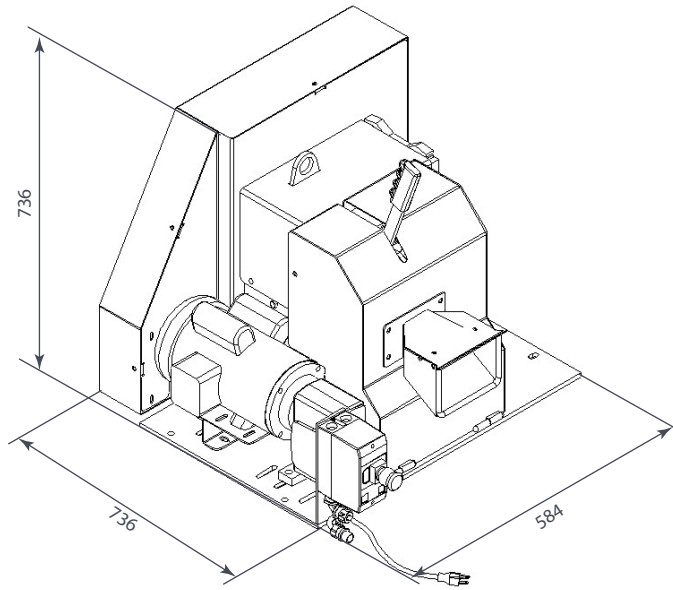


★ Features

- Rotating knife strap chopper
- Easy to reach "Feedworks Release" hand lever
- Infeed funnel with "Anti-Kickback" flap
- Cuts used strapping into 89mm pieces for recycling
- Easy to operate
- Multiple pieces at the same time
- Plug and play technology
- Large cutting capacity
- Suited for the harshest environments

+ Benefits

- Turns unwanted scrap into a recyclable asset
- Reduces waste disposal costs
- Improves company's green credentials
- Safe and easy to use
- Low maintenance costs
- Long lasting
- FROMM 2 year warranty



★ Technical Specifications

Capacity:

Steel strap with seals (mm):	Up to 31.75 x 1.17
Band saw blades (mm):	Up to 31.75 x 1.17
Tubing	
Slitter trim	
Extrusions	
Various mild steel, aluminium, brass and copper bars	
Infeed Speed (m/min):	27

Dimensions:

Width (mm):	736
Height (mm):	736
Length (mm):	584
Infeed opening (mm):	57 x 19
Cut length (mm):	89

Knives:

Number of stationary knives:	1
Number of rotating knives:	1, 2, 3 or 4

Electrical:

240V, Single Phase, 50Hz, 8 amps	
Electric Motor:	1 1/2 HP

Weight:

Total weight approx. (kg):	256
----------------------------	-----

FROMM | PACKAGING
AUSTRALIA

Australia Wide

T 1800 023 890

E info@fromm-pack.com.au

W www.fromm-pack.com.au